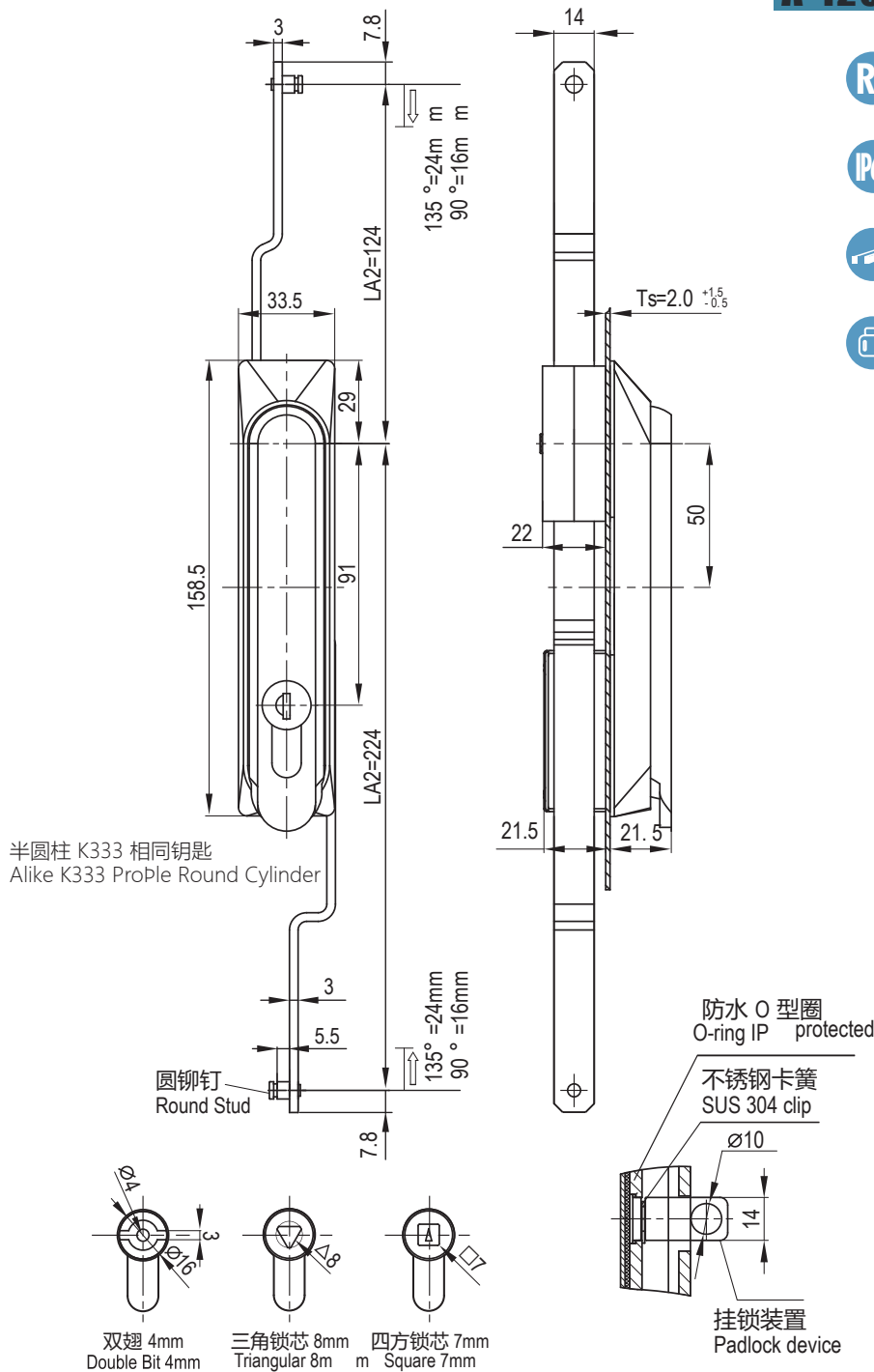


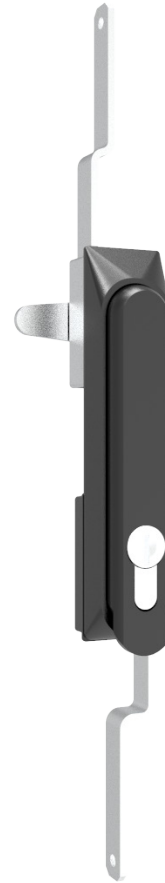
连杆型旋转把手 Rod Control Swinghandle

A-1201 Rod Control Swinghandle



RL

IP65



1. Material and surface treatment:

Lock body, handle, dust cover : Zamak
DIN-EN 1774-ZnAl4Cu1
Steel bolt: iron galvanized
Sealing ring: EPDM foam.

2. Performance parameters:

Protection class: IP65
Handle bearing tension value: $\leq 400\text{N}$
Handle bearing torque value: $\leq 35\text{N}\cdot\text{m}$

4. Remarks:

Optional dedicated key
CH751 key optional
Can be equipped with stainless steel padlock
Default K333 key

1. 材质及表面处理:

锁体, 手柄, 防尘盖: 5# 锌合金喷塑黑
钢栓: 铁镀锌
密封圈: EPDM 发泡胶。

2. 性能参数:

防护等级: IP65
手柄承载拉力值: $\leq 400\text{N}$
手柄承载扭矩值: $\leq 35\text{N}\cdot\text{m}$

4. 备注:

专用钥匙可选
CH751 钥匙可选
可配不锈钢挂锁
默认 K333 钥匙

| 锁芯 Cylinder style | Version B(两点拉杆型 2Prod control) | | Version C(三点拉杆型 3Prod control) | |
|---|--------------------------------|--------------------------|--------------------------------|--------------------------|
| | 有防尘盖 With Dust Cap | 无防尘盖 Without Dust Cap | 有防尘盖 With Dust Cap | 无防尘盖 Without Dust Cap |
| 半圆柱 K333 相同钥匙 Alike K333 ProPle Round Cylinder | A-1201-2P01-C-40 | A-1201-2P01-NC-40 | A-1201-3P01-C-40 | A-1201-3P01-NC-40 |
| 双翅 4mm (Double Bit 4mm) | A-1201-2P02-C-40 | A-1201-2P02-NC-40 | A-1201-3P02-C-40 | A-1201-3P02-NC-40 |
| 四方锁芯 7mm (Square 7mm) | A-1201-2P03-C-40 | A-1201-2P03-NC-40 | A-1201-3P03-C-40 | A-1201-3P03-NC-40 |
| 三角锁芯 8mm (Triangular 8mm) | A-1201-2P04-C-40 | A-1201-2P04-NC-40 | A-1201-3P04-C-40 | A-1201-3P04-NC-40 |