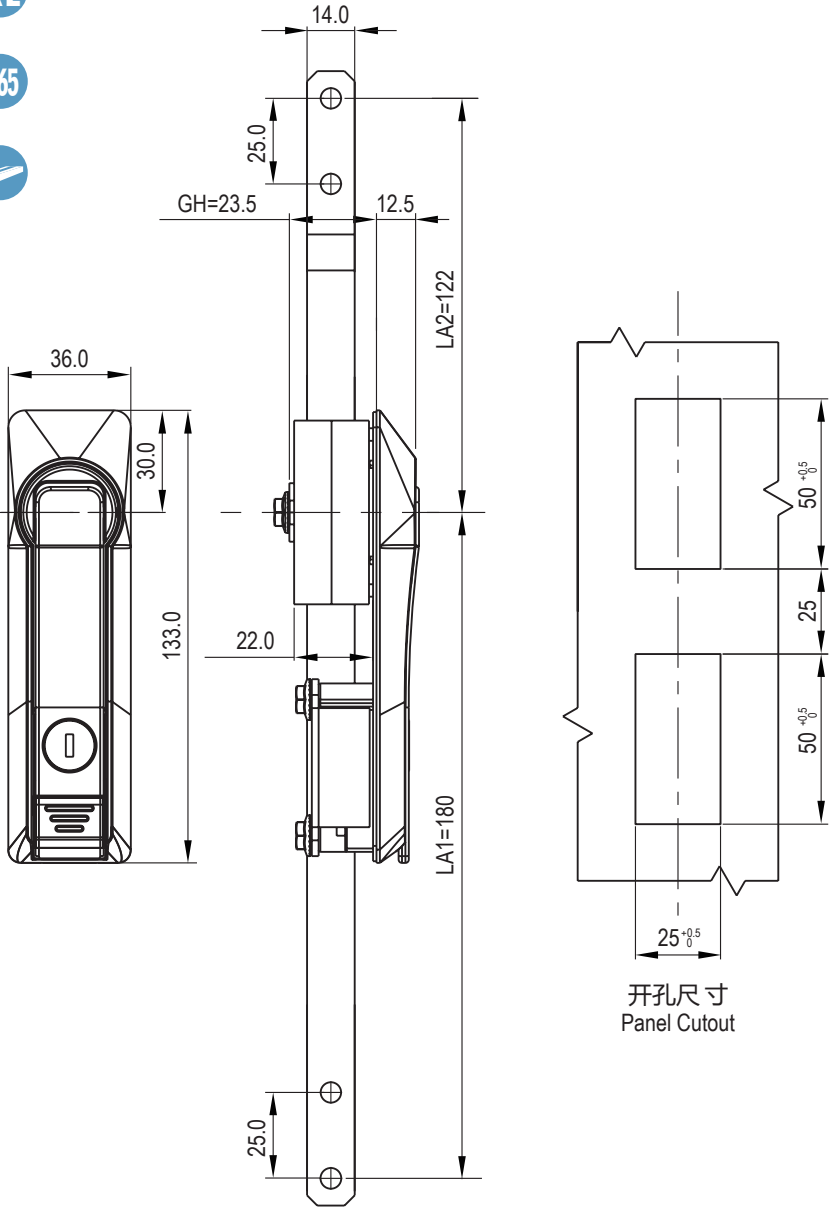
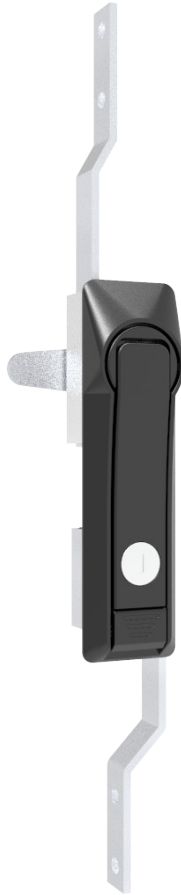


Rod Control Swinghandle

**A-1208**

RL

IP65



开孔尺寸  
Panel Cutout

如需获得产品3D模型图，请联系 WWW.FORND.COM

1. Material and surface treatment:  
Lock body, handle, dust cover : Zamak  
DIN-EN 1774-ZnAl4Cu1  
Steel bolt: iron galvanized  
Sealing ring: EPDM foam.

2. Performance parameters:  
Protection class: IP65  
Handle bearing tension value: ≤ 340N  
Handle bearing torque value: ≤ 28N.m

3. Remark:  
Default K333 key

1. 材质及表面处理:  
锁体, 手柄, 防尘盖: 5# 锌合金喷塑黑  
钢栓: 铁镀锌  
密封圈: EPDM发泡胶。

2. 性能参数:  
防护等级: IP65  
手柄承载拉力值: ≤ 340N  
手柄承载扭矩值: ≤ 28N.m

3. 备注:  
默认K333钥匙

Version B( 两点拉杆型 2Prod control)		Version C( 三点拉杆型 3Prod control)	
亚光漆 Matt Pnish paint	喷塑亚光黑 Black powder coated	亚光漆 Matt Pnish paint	喷塑亚光黑 Black powder coated
A-1208-2001-50	A-1208-2001-40	A-1208-3001-50	A-1208-3001-40