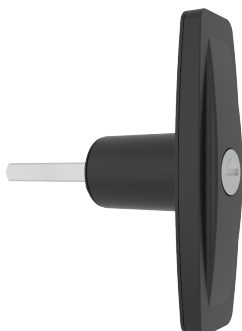


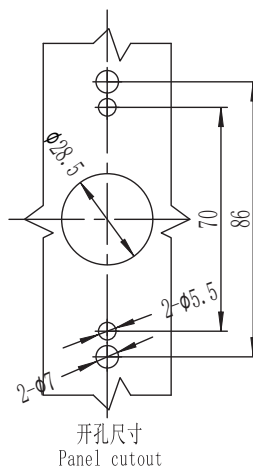
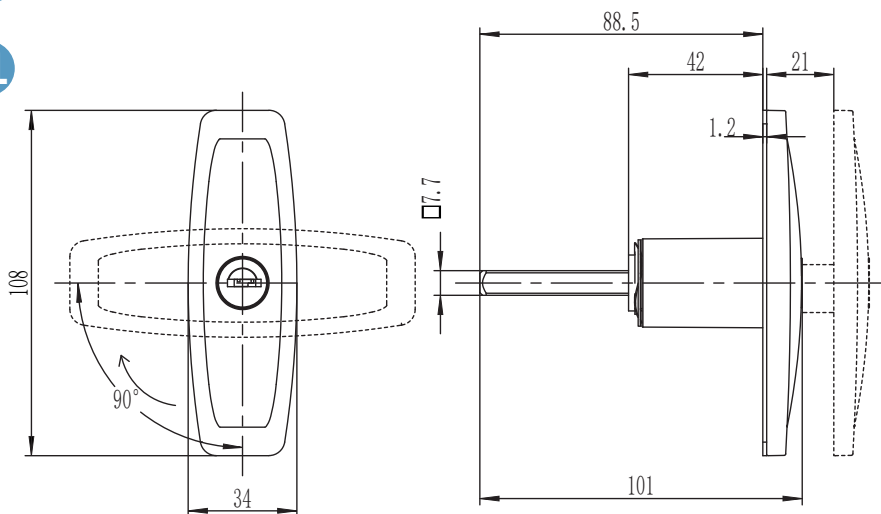
T handle lock

B-1111



IP40

RL



如需获得产品3D模型图，请联系 WWW.FORND.COM

1. Material and surface treatment:
Lock body, handler : Zamak DIN-EN
1774-ZnAl4Cu1
Steel bolt: iron galvanized
Sealing ring: EPDM foam.

2. Performance parameters:
Protection class: IP40

3. Remarks:
Optional dedicated key
Default K120 key

1. 材质及表面处理:
锁体, 手柄: 5# 锌合金
螺栓: 铁镀锌
密封圈: EPDM 发泡胶

2. 性能参数: 防护等级: IP40

3. 备注:
专用钥匙可选
默认 K160 钥匙

| | |
|------------------------------------|-------------|
| 锌合金, 喷塑黑 Zinc Powder coating black | |
| 左向 left | B-1111-L-40 |
| 右向 right | B-1111-R-40 |