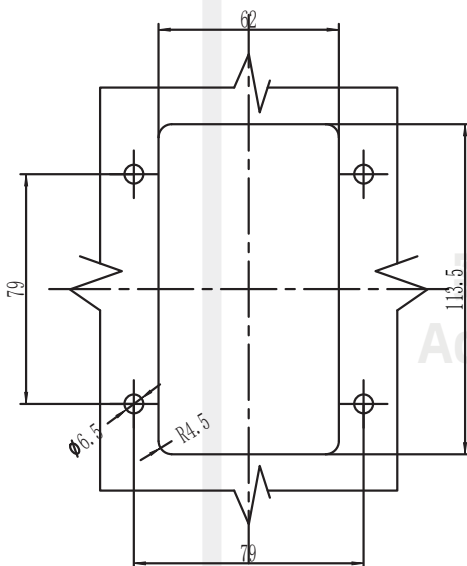
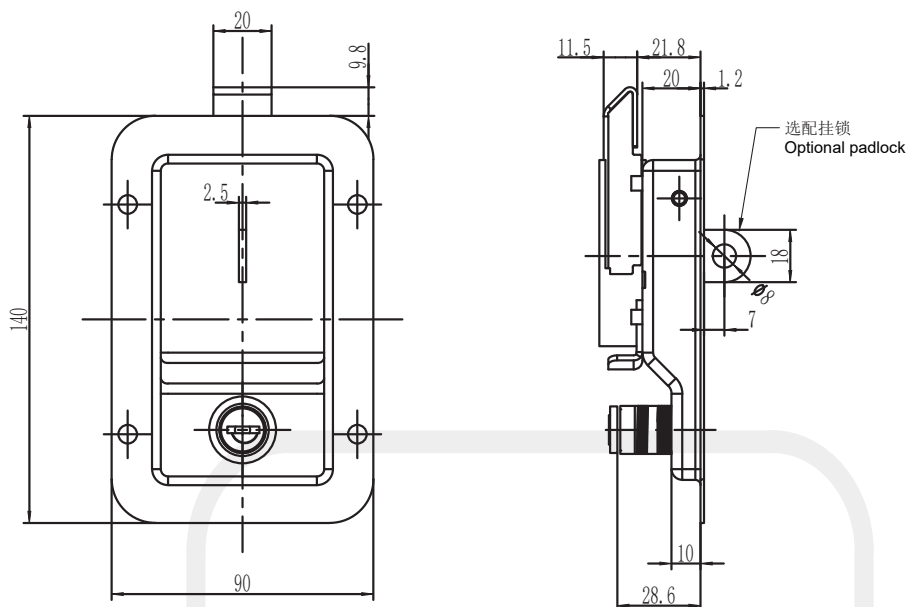


push to close latch paddle latch

B-1513

IP40



开孔尺寸 (cut out)

实际尺寸
Actual size

如需获得产品3D模型图，请联系 WWW.FORND.COM

1. Material and surface treatment:
Lock body, handle : SUS304

2. Performance parameters:
Protection class: IP40
Handle bearing tension value: $\leq 630\text{N}$
Bearing capacity of latch $\leq 1000\text{N}$

3. Remarks:
Default CH751 key

1. 材质及表面处理:
锁体,手柄:SUS304

2. 性能参数:
防护等级: IP40
手柄承载拉力值: $\leq 410\text{N}$
锁舌承载力 $\leq 550\text{N}$

3. 备注:
默认 CH751 钥匙

SUS304	
带挂 Pad lockable	不带挂 Without padlock
B-1513-10-A1	B-1513-11-A1