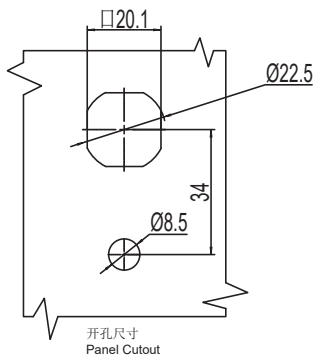
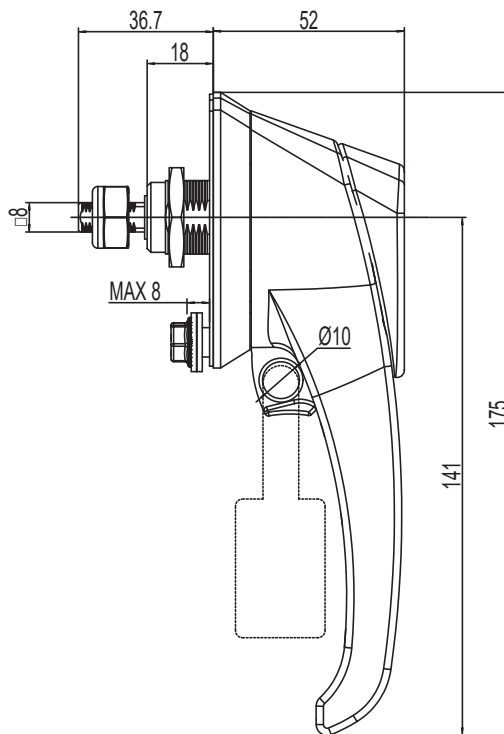
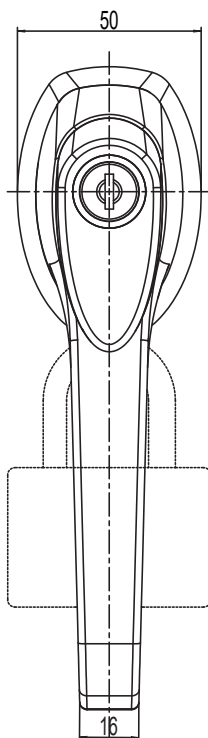


L handle lock

**B-1309**

IP65



如需获得产品3D模型图，请联系 WWW.FORND.COM

1. Material and surface treatment:  
Lock body, handler : Zamak DIN-EN 1774-ZnAl4Cu1 or SUS304  
Steel bolt: iron galvanized  
Sealing ring: EPDM foam.

2. Performance parameters:  
Protection class: IP65

3. Remarks:  
Optional dedicated key  
Default CH751 key

1. 材质及表面处理:  
锁体, 手柄: 5#锌合金喷塑黑或 SUS304  
钢栓: 铁镀锌  
密封圈: EPDM发泡胶

2. 性能参数: 防护等级: IP65

3. 备注:  
专用钥匙可选  
默认 CH751 钥匙

|                                                | 锌合金、黑 Zinc alloy Powder coating black | SUS304        |
|------------------------------------------------|---------------------------------------|---------------|
| 无钥匙锁芯 non-locking                              | B-1309-001-40                         | B-1309-001-A1 |
| CH751 钥匙锁定 CH751 key locking                   | B-1309-010-40                         | B-1309-010-A1 |
| 双翅 5mm Double bit 5mm                          | B-1309-015-40                         | B-1309-015-A1 |
| 三角 8mm Triangular                              | B-1309-038-40                         | B-1309-038-A1 |
| 四方 7mm Square 7mm                              | B-1309-047-40                         | B-1309-047-A1 |
| 内六角 8mm Hexagon female 8mm                     | B-1309-068-40                         | B-1309-068-A1 |
| 2x4mm 直槽型 2x4 slot                             | B-1309-112-40                         | B-1309-112-A1 |
| 外六角 6mm 型 Hexagon male 10mm                    | B-1309-160-40                         | B-1309-160-A1 |
| 内六角 8mm 带销 3mm Hexagon female 8mm with 3mm pin | B-1309-268-40                         | B-1309-268-A1 |