

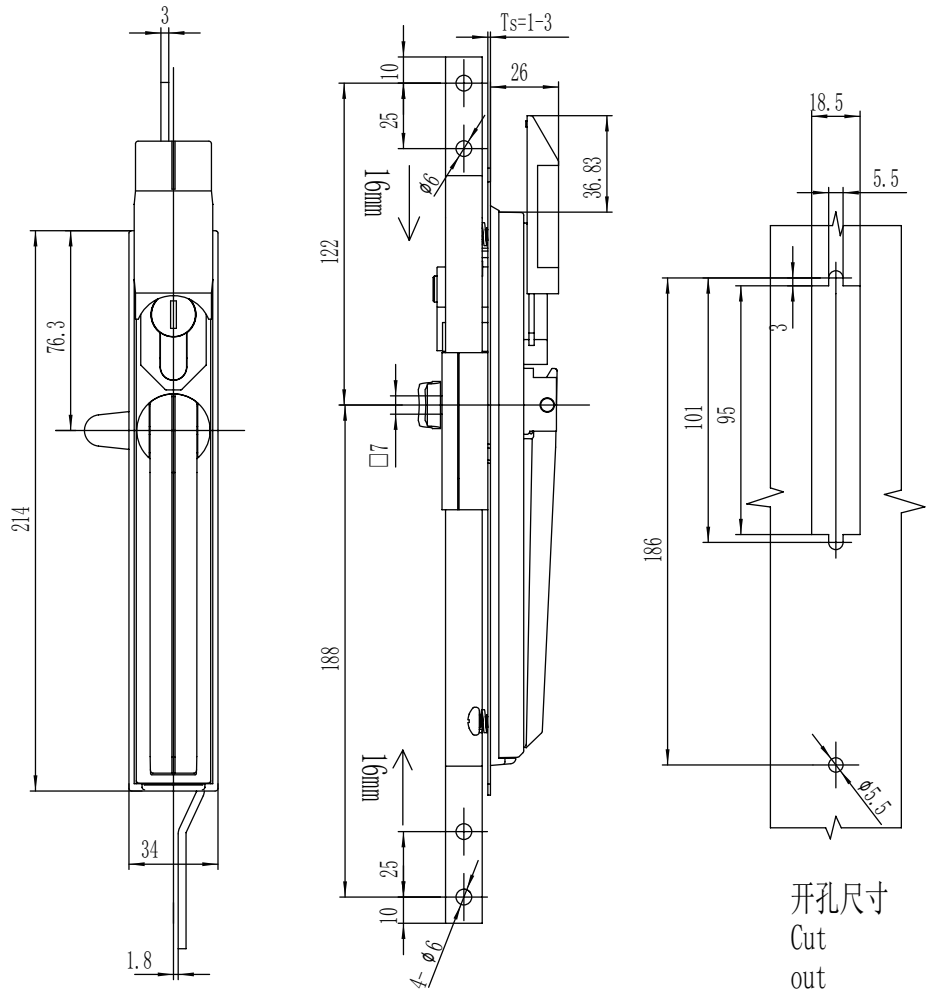
Rod Control Swinghandle

A-1213

RL

IP65

NEW



开孔尺寸
Cut
out

如需获得产品3D模型图，请联系 WWW.FORND.COM

1. Material and surface treatment:
Lock body, handle, dust cover : Zamak
DIN-EN 1774-ZnAl4Cu1
Steel bolt: iron galvanized
Sealing ring: EPDM foam.

2. Performance parameters: Protection
class: IP65

3. Remark:
Padlockable on request

1. 材质及表面处理:
锁体, 手柄, 防尘盖 5#锌合金喷塑黑
螺栓: 铁镀锌
密封圈: EPDM发泡胶。

2. 性能参数: 防护等级: IP65

3. 备注:
可配挂锁

Version C(三点拉杆型 3Prod control)	
喷塑亚光黑 Black Powder Coated	纳米喷漆(银亚光)NM spray painting(matte silver)
A-1213-3001-40	A-1213-3001-50