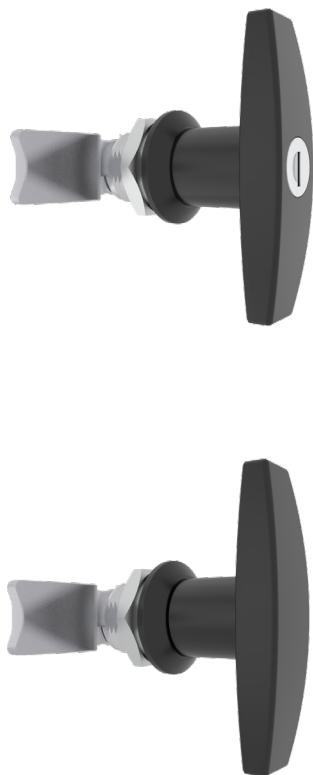


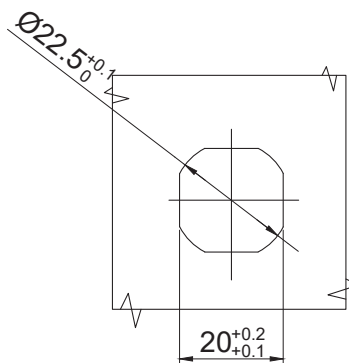
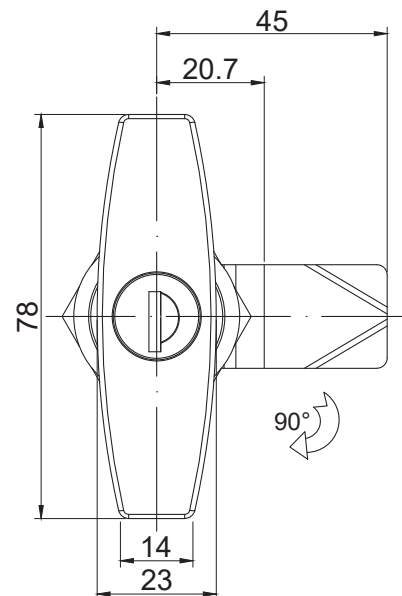
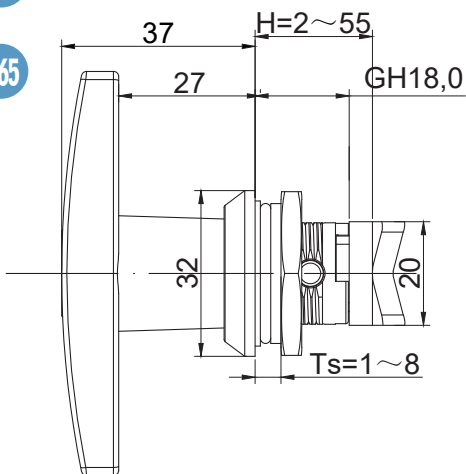
T handle lock

**B-1201**



RL

IP65



如需获得产品3D模型图，请联系 WWW.FORND.COM

1. Material and surface treatment:  
Lock body, handler : Zamak DIN-EN 1774-ZnAl4Cu1 or SUS304  
Steel bolt: iron galvanized  
Sealing ring: EPDM foam.

2. Performance parameters:  
Protection class: IP65

3. Remarks:  
Optional dedicated key  
Default K333 key

1. 材质及表面处理:  
锁体, 手柄: 5#锌合金喷塑黑或 SUS304  
钢栓: 铁镀锌  
密封圈: EPDM发泡胶

2. 性能参数: 防护等级: IP65

3. 备注:  
专用钥匙可选  
默认 K333 钥匙

	粉末涂层黑 Powder coating black	电镀亮铬 Bright chrome electroplating	不锈钢 Stainless steel
K333 钥匙锁定 K333 key locking	B-1201-10-40	B-1201-10-30	B-1201-10-A1
不带钥匙锁 Non-locking	B-1201-20-40	B-1201-20-30	B-1201-20-A1