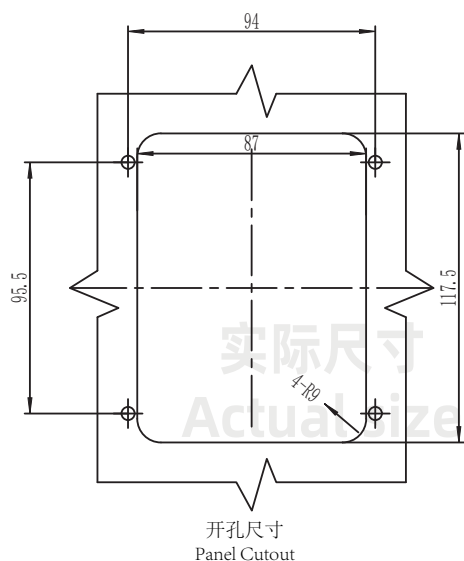
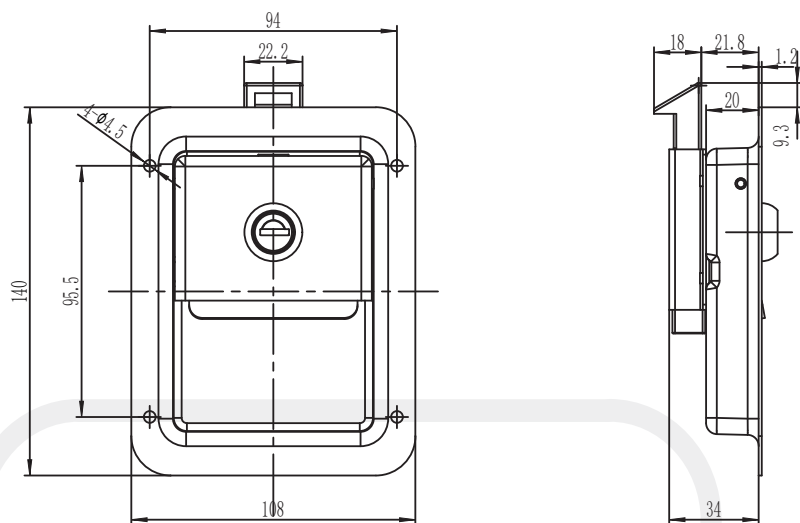


B-1509 push to close latch paddle latch

IP40



如需获得产品 3D 模型图，请联系 WWW.FORND.COM

1. Material and surface treatment:
Lock body, handle : SUS304

2. Performance parameters:
Protection class: IP40
Handle bearing tension value: ≤ 420N
Bearing capacity of latch ≤ 1000N

3. Remarks:
Default CH751 key

1. 材质及表面处理:
锁体, 手柄: SUS304

2. 性能参数:
防护等级: IP40
手柄承载拉力值: ≤ 420N
锁舌承载力 ≤ 1000N

3. 备注:
默认 CH751 钥匙

| | |
|---------------------------|-------------------|
| SUS304 | |
| CH751 钥匙锁定 CH751 key lock | 无钥匙锁定 Non-locking |
| B-1509-10-A1 | B-1509-20-A1 |