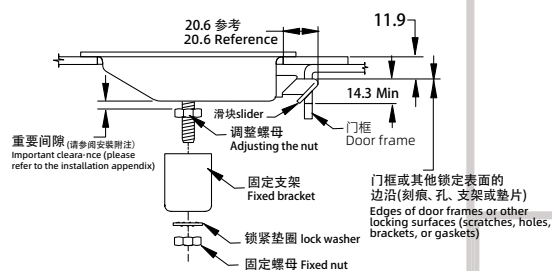
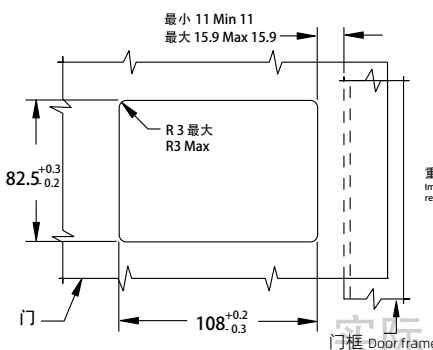
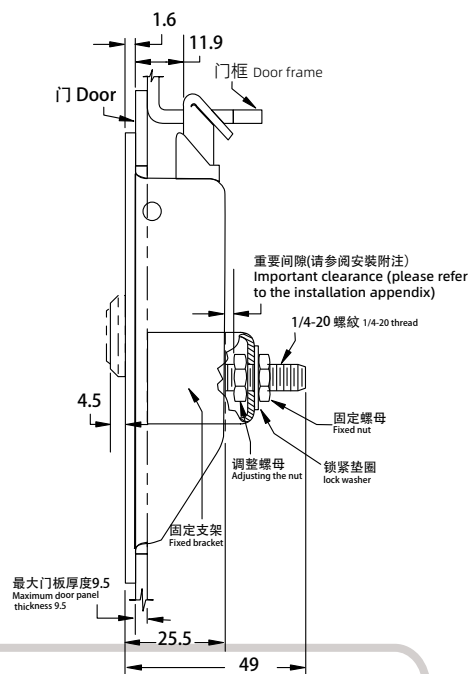
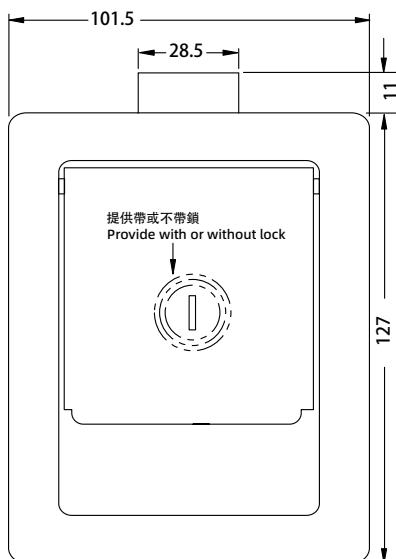


push to close latch paddle latch

B-1505



IP40



实际尺寸
Actual size

如需获得产品3D模型图，请联系 WWW.FORND.COM

1. Material and surface treatment:
Lock body, handle : SUS304

2. Performance parameters:
Protection class: IP40
Maximum static load: 1110N

3. Installation instructions
Measure the thickness of the door and adjust the nuts to ensure that the spacing is equal to the thickness of the door panel, between +0.8 and -0.0.

4. Remarks:
Default CH751 key

1. 材质及表面处理:
锁体, 手柄: SUS304

2. 性能参数:
防护等级: IP40
最大工作载荷: 1110N

3. 安装说明
测量门厚并调整螺母, 确保间距与门板厚度相等, 在 +0.8与 -0.0之间。

4. 备注:
默认 CH751 钥匙

	SUS304	
	磨砂 sandblast	喷塑黑 Powder coating black
CH751 钥匙锁定 CH751 key locking	B-1505-20-36	B-1505-20-40
无钥匙锁芯 Non-locking	B-1505-21-36	B-1505-21-40