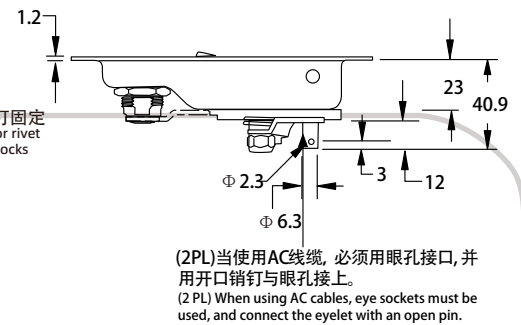
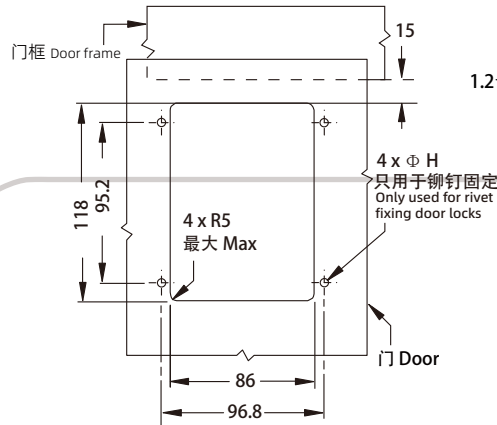
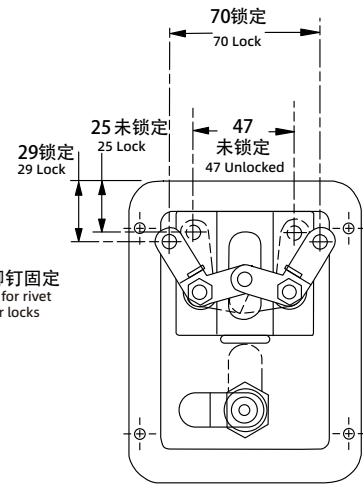
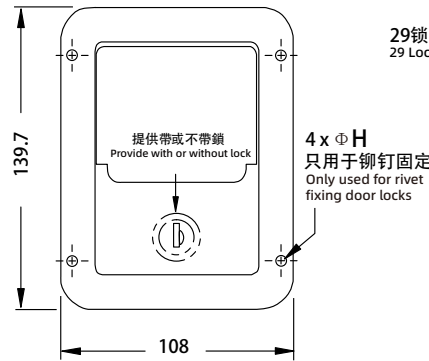
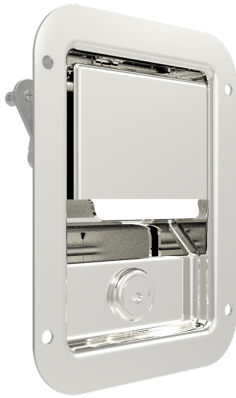


push to close latch paddle latch

B-1506

IP40



实际尺寸
Actual size

如需获得产品3D模型图, 请联系 WWW.FORND.COM

1. Material and surface treatment:
Lock body, handle : SUS304

2. Performance parameters:
Protection class: IP40

3. Remarks:
Default CH751 key

1. 材质及表面处理:
锁体, 手柄: SUS304

2. 性能参数:
防护等级: IP40

3. 备注:
默认 CH751 钥匙