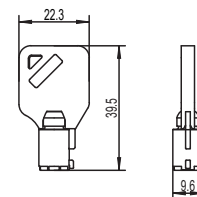
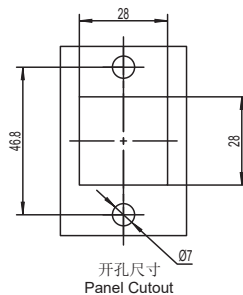
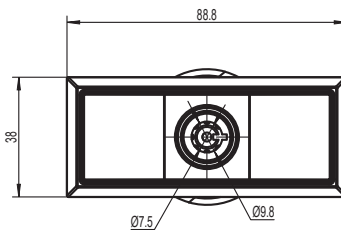
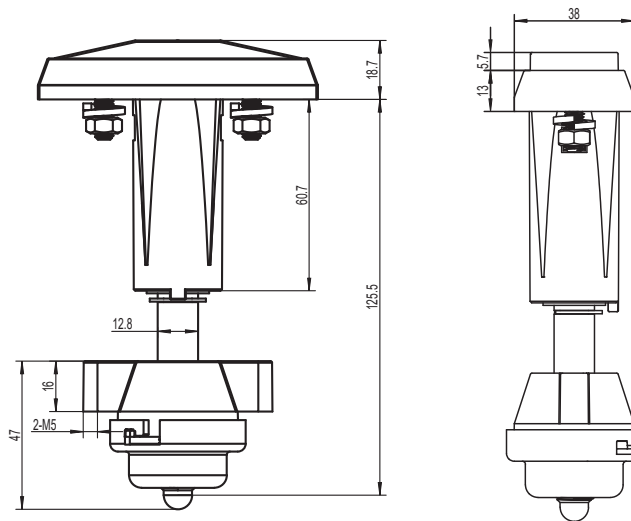


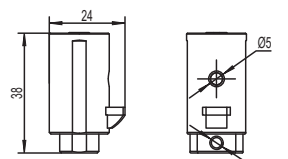
T handle lock

B-1105

IP40



钥匙
Key



可更换锁芯
Replaceable lock cylinder

如需获得产品3D模型图，请联系 WWW.FORND.COM

1. Material and surface treatment:
Lock body, handle: Zamak DIN-EN
1774-ZnAl4Cu1

2. Performance parameters:
Protection class: IP40

3. Remark:
Default tube type key
Customizable with 2000 variations

1. 材质及表面处理:
锁体, 手柄: 5#锌合金

2. 性能参数:
防护等级: IP40

3. 备注:
默认管型钥匙
可定制 2000种变化

钥匙丢失的情况下或者更换操作人员的情况下，可以拆卸更换锁芯，达到管理要求。
In the case of key loss or replacement of operators, the lock cylinder can be disassembled and replaced to meet management requirements.

	整锁 Whole lock	无锁芯 No lock	可拆卸管型锁芯 Removable tubular lock core
喷塑黑 Powder coating black	B-1105-10-40	B-1105-20-40	B-1105-30-40
电镀亮铬 Bright chrome plating	B-1105-10-30	B-1105-20-30	B-1105-30-40