

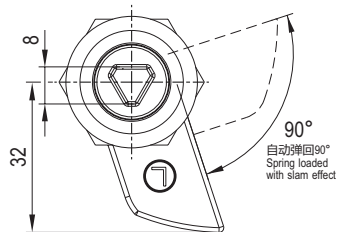
quarter turn lock

D1-1446

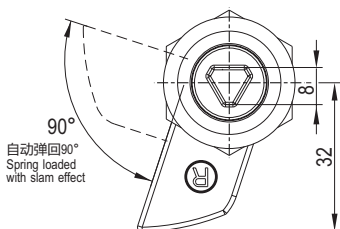
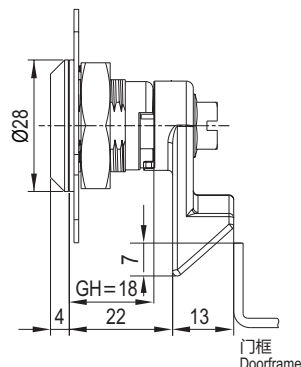


RL

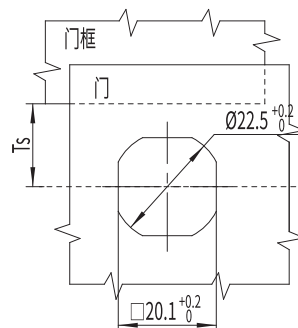
IP40



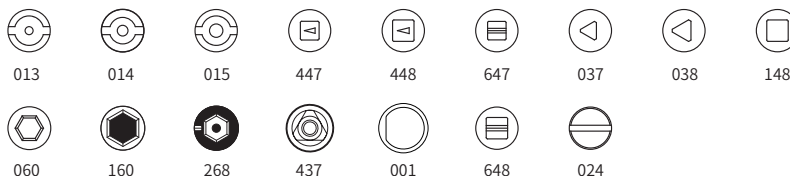
L型 (左开) Version L(Left)



R型 (右开) Version R(Right)



锁芯 Cylinder



选型 Model selection

锁芯选型
Lock cylinder selection

D1-1446-SX-30L

30 代表电镀亮铬
30 represents electroplating bright chrome
40 代表喷塑亚光黑
40 represents Black powder coated
L 代表左锁 顺时针旋转锁紧
L represents clockwise rotation and locking of the left lock
R 代表右锁 逆时针旋转锁紧
R represents the counterclockwise

如需获得产品 3D 模型图 请联系 WWW.FORND.COM

1. Material and surface treatment:
Main body, Steel bolt : Zamak DIN-EN 1774-ZnAl4Cu1
2. Performance parameters:
Protection class: IP40
3. Installation instructions:
Fixed screw torque 8N. M
Fixed nut torque 17N. M
Applicable door panel thickness: 1-5mm

1. 材质及表面处理:
主体, 钢栓: 5# 锌合金
密封圈: EPDM 发泡胶
2. 性能参数:
防护等级: IP40
3. 安装说明:
固定螺丝扭矩 8N.M
固定螺母扭矩 17N.M
适用门板厚度: 1-5mm