

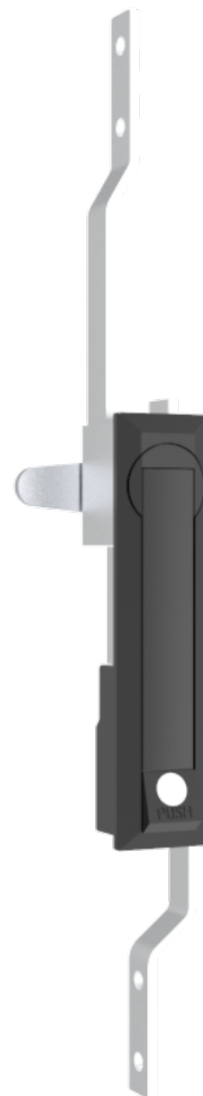
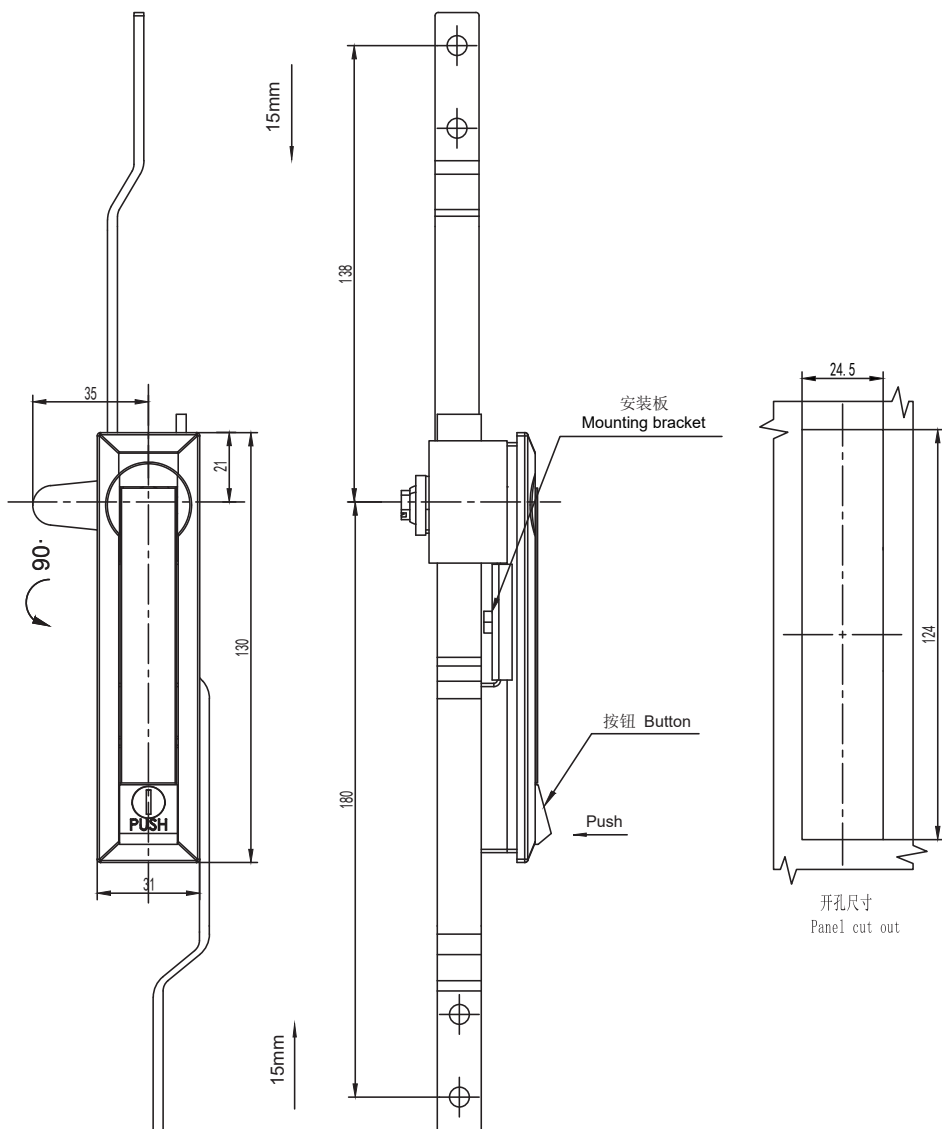
# 连杆型旋转把手 Rod Control Swinghandle

## A-1209 Rod Control Swinghandle

RL

IP65

NEW



1. Material and surface treatment:  
Lock body, handle, dust cover : Zamak  
DIN-EN 1774-ZnAl4Cu1  
Steel bolt: iron galvanized  
Sealing ring: EPDM foam.

2. Performance parameters:  
Protection class: IP65  
Handle bearing tension value:  $\leq 350\text{N}$   
Handle bearing torque value:  $\leq 25\text{N}\cdot\text{m}$

3. Remark:  
Padlockable on request  
Default K333 key

1. 材质及表面处理:  
锁体, 手柄, 防尘盖: 5#锌合金喷塑黑  
螺栓: 铁镀锌  
密封圈: EPDM发泡胶。

2. 性能参数:  
防护等级: IP65  
手柄承载力值:  $\leq 350\text{N}$   
手柄承载扭矩值:  $\leq 25\text{N}\cdot\text{m}$

3. 备注:  
可配挂锁  
默认K333钥匙

Version B( 两点拉杆型 2Prod control)		Version C( 三点拉杆型 3Prod control)	
亚光漆 Matt Pnish paint	喷塑亚光黑 Black powder coated	亚光漆 Matt Pnish paint	喷塑亚光黑 Black powder coated
A-1209-2101-50	A-1209-2101-40	A-1209-3101-50	A-1209-3101-40