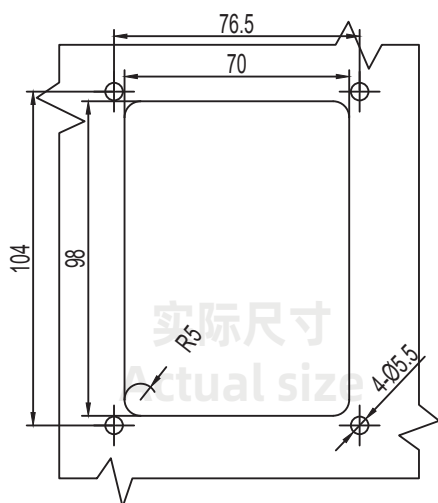
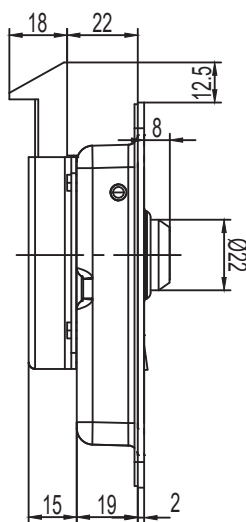
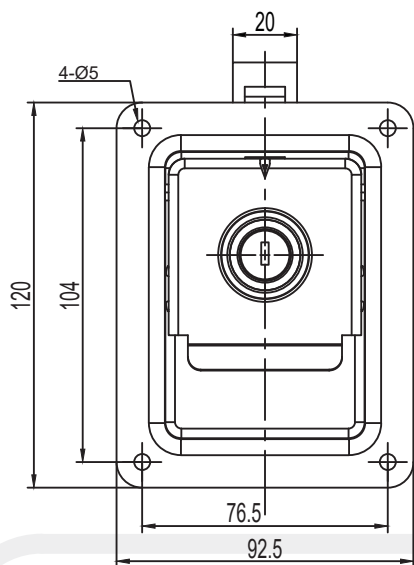


B-1511 push to close latch paddle latch

IP40



开孔尺寸
Panel cutout

实际尺寸
Actual size

1. Material and surface treatment:
Lock body, handle : SUS304

2. Performance parameters:
Protection class: IP40
Handle bearing tension value: ≤ 420N
Bearing capacity of latch ≤ 1000N

3. Remarks:
Default CH751 key

1. 材质及表面处理:
锁体, 手柄 : SUS304

2. 性能参数:
防护等级: IP40
手柄承载拉力值: ≤ 315N
锁舌承载力 ≤ 1000N

3. 备注:
默认 CH751 钥匙

SUS304	
CH751 钥匙锁定 CH751 key lock	无钥匙锁定 Non-locking
B-1511-10-A1	B-1511-20-A1