

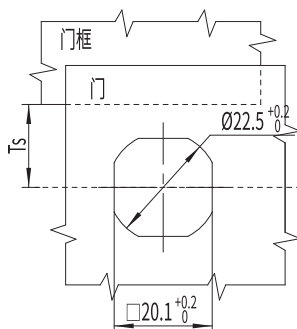
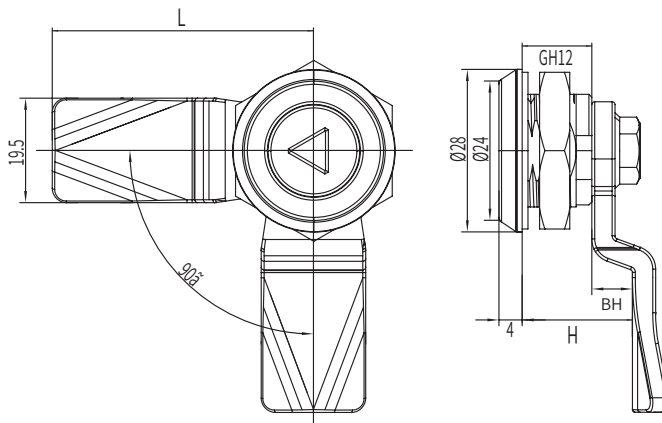
quarter turn lock

**D1-1400**

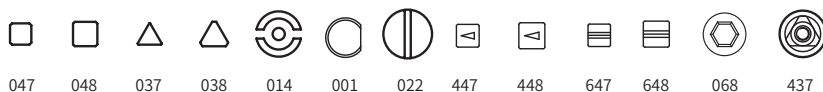


IP65

S  
SAINLESS  
SERIES



**锁芯 Cylinder**



**选型 Model selection**

锁芯选型  
Lock cylinder selection

A1 代表 SUS304  
A1 represents SUS304  
A2 代表 SUS316  
A2 represents SUS316

**D1-1400-SX-LH-A1**

L 代表钢栓长度  
L represents the length of the steel bolt  
H 代表有效高度  
H represents effective height

如需获得产品 3D 模型图，请联系 WWW.FORND.COM

1. Material and surface treatment:  
Main body, Steel bolt: SUS304 or SUS316  
Sealing ring: EPDM foam.

2. Performance parameters:  
Protection class: IP65

3. Installation instructions:  
Fixed screw torque 8N. M  
Fixed nut torque 17N. M  
Applicable door panel thickness: 1-3mm

1. 材质及表面处理:  
主体, 钢栓: SUS304 或 SUS316  
密封圈: EPDM发泡胶

2. 性能参数:  
防护等级: IP65

3. 安装说明:  
固定螺丝扭矩 8N.M  
固定螺母扭矩 17N.M  
适用门板厚度: 1-3mm