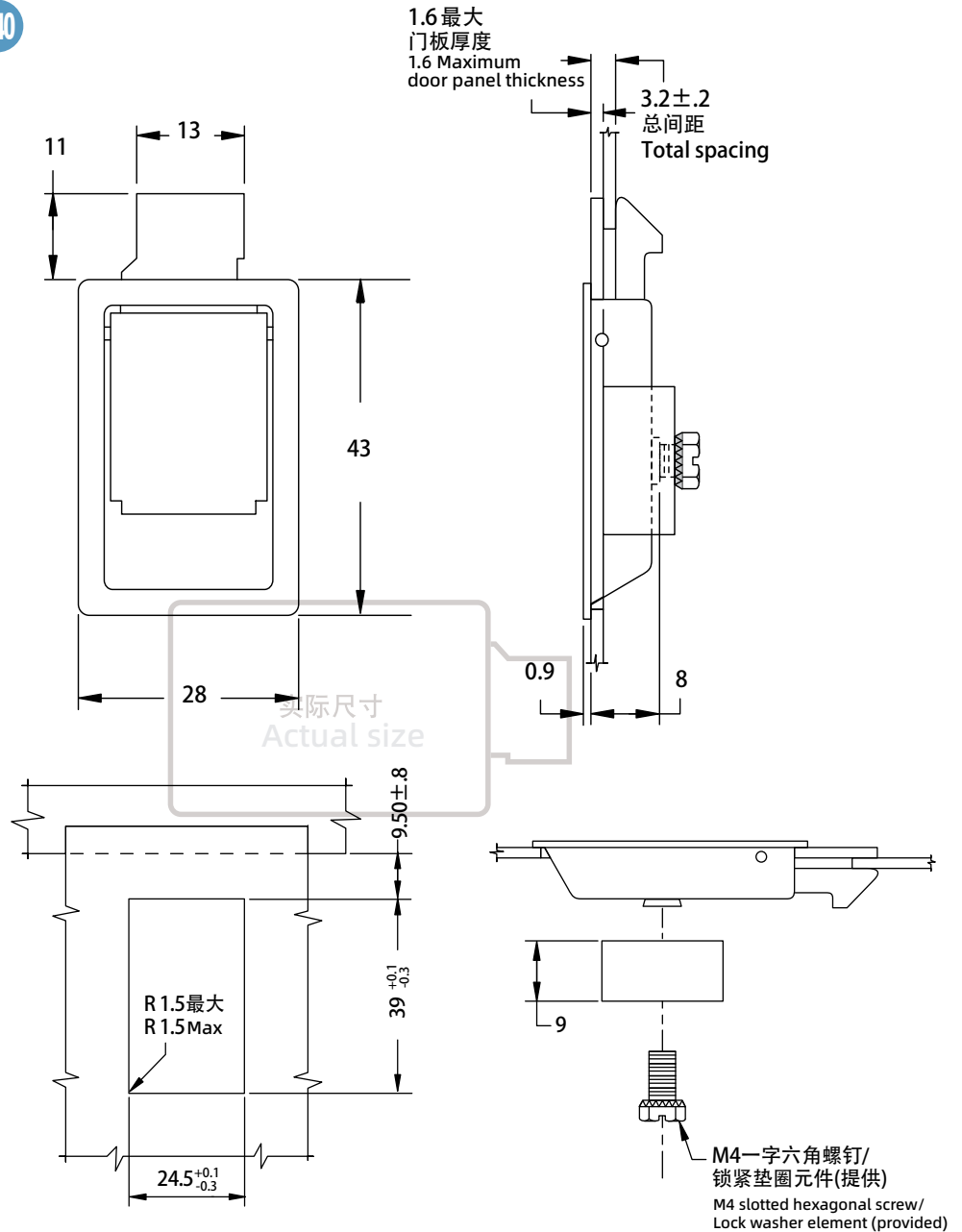


push to close latch paddle latch

B-1504

IP40



请联系 WWW.FORND.COM
如需获得产品3D模型图

1. Material and surface treatment:
Lock body, handle : SUS304
Door pin: PA66+30%GF

2. Performance parameters:
Protection class: IP40
Maximum static load: 90N

Working temperature range: -18 °C to 100 °C
Flame retardant grade: UL94-V0

1. 材质及表面处理:
锁体,手柄 :SUS304
门销: PA66+30%GF

2. 性能参数:
防护等级: IP40
最大工作载荷: 90N
工作温度范围: -18°C到 100°C
阻燃等级: UL94-V0

SUS304
磨砂 sandblast
B-1504-10-36