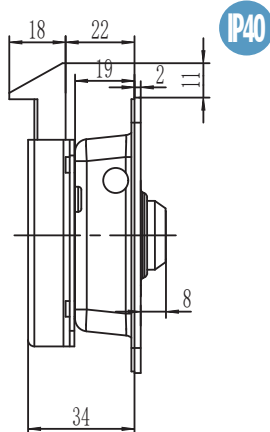
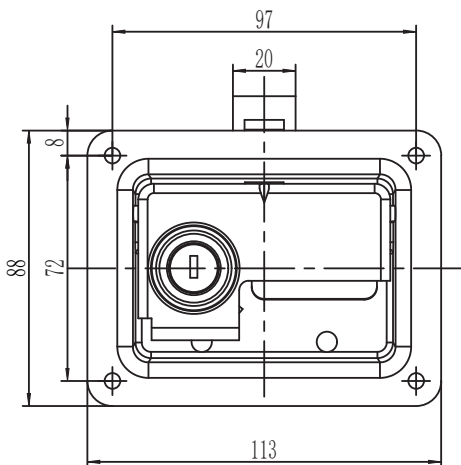
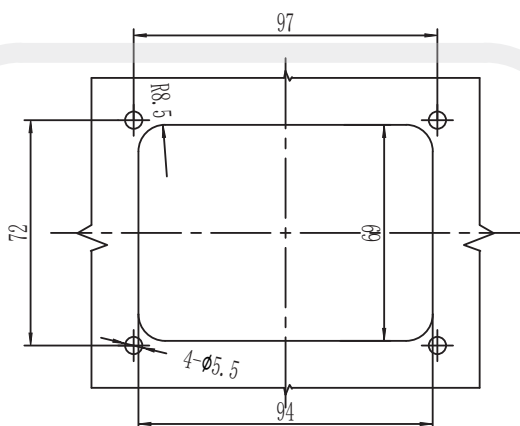
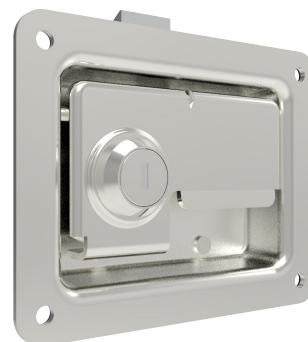


## B-1515 push to close latch paddle latch



IP40



开孔尺寸  
Panel cutout

实际尺寸  
Actual size

1. Material and surface treatment:  
Lock body, handle : SUS304

2. Performance parameters:  
Protection class: IP40  
Handle bearing tension value: ≤ 630N  
Bearing capacity of latch ≤ 1000N

3. Remarks:  
Default CH751 key

1. 材质及表面处理:  
锁体, 手柄 : SUS304

2. 性能参数:  
防护等级: IP40  
手柄承载拉力值: ≤ 1000N  
锁舌承载力 ≤ 500N

3. 备注:  
默认 CH751 钥匙

如需获得产品 3D 模型图，请联系 WWW.FORND.COM