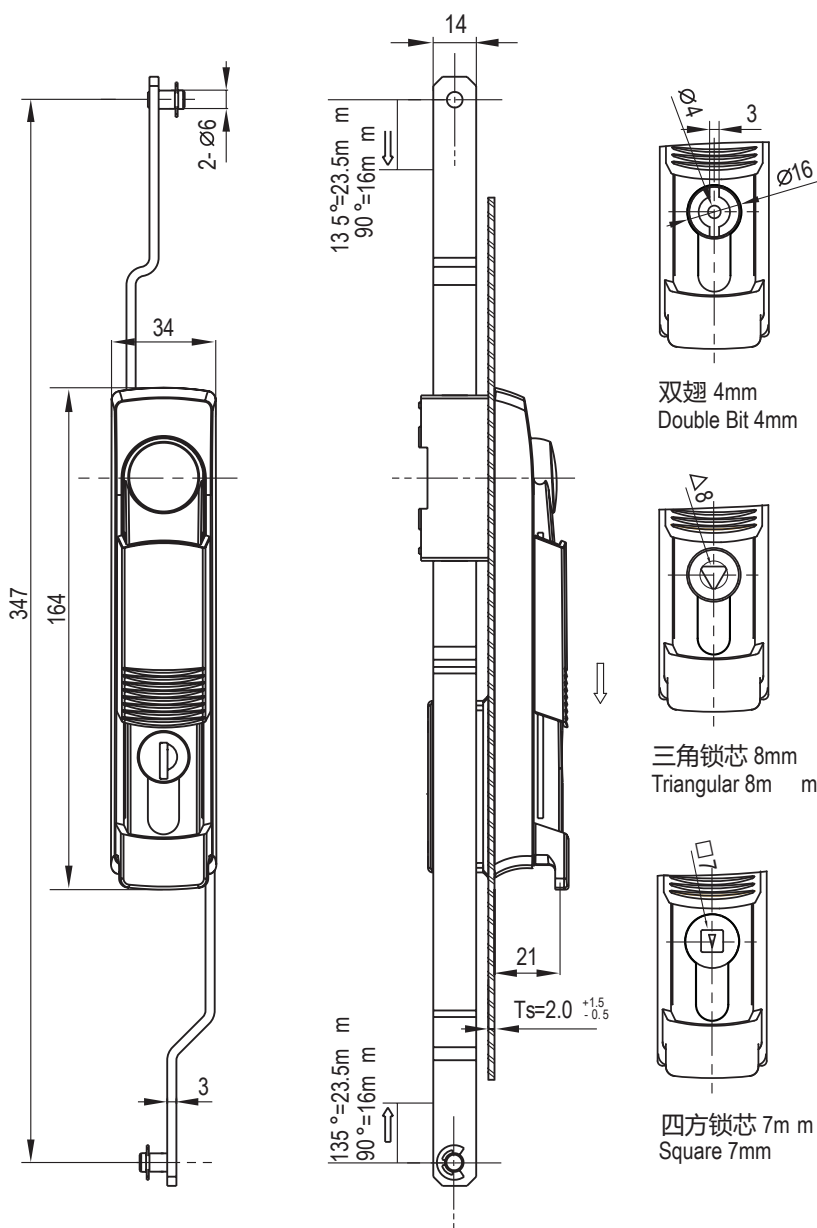


连杆型旋转把手 Rod Control Swinghandle

A-1204 Rod Control Swinghandle



RL

IP65



NEW



1. Material and surface treatment:
Lock body, handle: PA66+30%GF
Steel bolt: iron galvanized
Sealing ring: EPDM foam.

2. Performance parameters:
Protection class: IP65
Handle bearing tension value: $\leq 520\text{N}$
Handle bearing torque value: $\leq 27\text{N}\cdot\text{m}$
Maximum static load: 270N

3. Remarks:
Optional dedicated key
CH751 key optional
Default K333 key

1. 材质及表面处理:
锁体, 手柄: PA66+30%GF
钢栓: 铁镀锌
密封圈: EPDM发泡胶。

2. 性能参数:
防护等级: IP65
手柄承载拉力值: $\leq 520\text{N}$
手柄承载扭矩值: $\leq 27\text{N}\cdot\text{m}$
最大静载荷: 270N

3. 备注:
专用钥匙可选
CH751 钥匙可选
默认K333钥匙

锁芯 Cylinder style	Version B(两点拉杆型 2Prood control)	Version C(三点拉杆型 3Prood control)
	有防尘盖 With Dust Cap	无防尘盖 Without Dust Cap
半圆柱 K333 相同钥匙 Alike K333 ProPle Round Cylinder	A-1204-2P01-60	1A-1204-3P01-60
双翅 4mm (Double Bit 4mm)	A-1204-2P02-60	A-1204-3P02-60
四方锁芯 7mm (Square 7mm)	A-1204-2P03-60	A-1204-3P03-60
三角锁芯 8mm (Triangular 8mm)	A-1204-2P04-60	A-1204-3P04-60