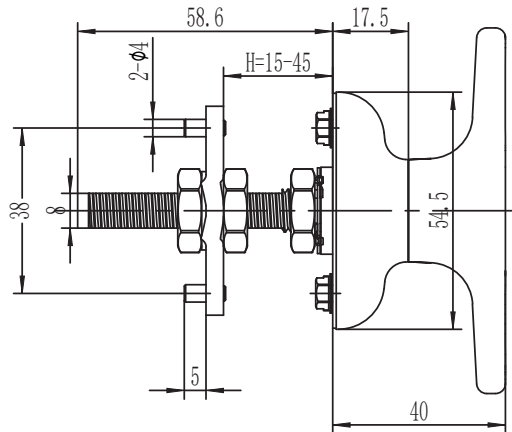
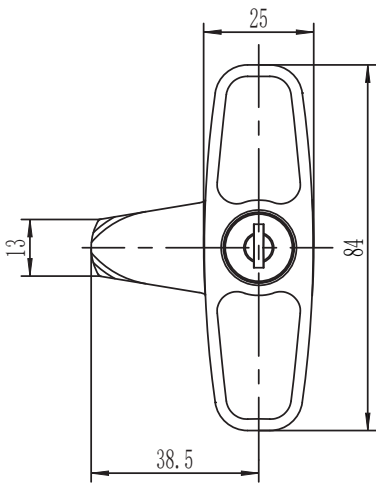
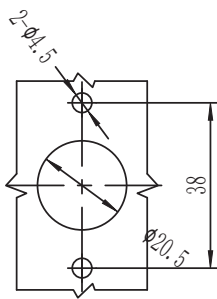


B-1108

T handle lock



IP65



开孔尺寸

1. Material and surface treatment:
Lock body, handle, dust cover : Zamak
DIN-EN 1774-ZnAl4Cu1
Steel bolt: iron galvanized
Sealing ring: EPDM foam.

2. Performance parameters: Protection class: IP65

3. Remarks:
Optional dedicated key
Default CH751 key

1. 材质及表面处理:
锁体, 手柄, 5#锌合金喷塑黑
钢栓: 铁镀锌
密封圈: EPDM发泡胶。

2. 性能参数: 防护等级: IP65

3. 备注:
专用钥匙可选
默认 CH751 钥匙

锁芯	粉末涂层黑, Powder coating black	电镀亮铬 Bright chrome electroplating
CH751 锁芯	B-1108-10-40	B-1108-10-30
无锁芯	B-1108-20-40	B-1108-20-30