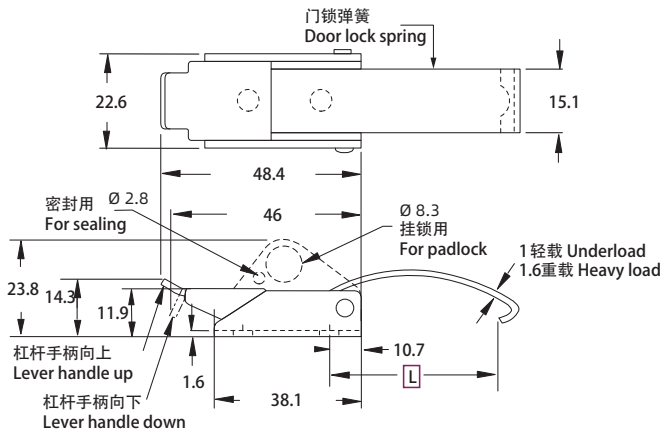
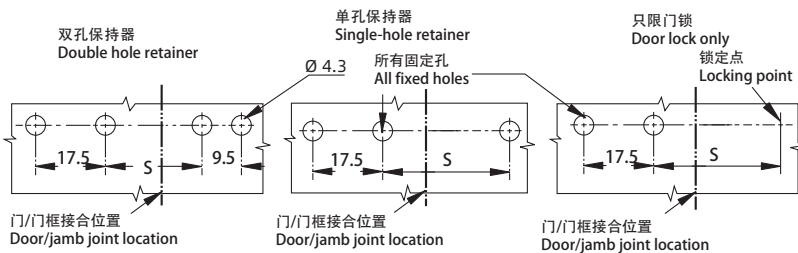
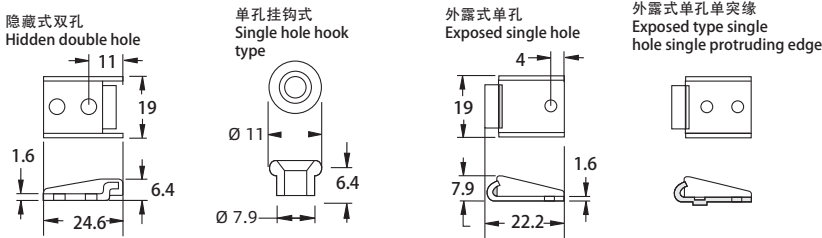


## F-1641

## Draw Latch



### 保持器 Retainer



### 选型 Model selection

## F-1641-SL-10

- 1 代表杠杆手柄向上
- 1 represents Lever handle up
- 2 代表杠杆手柄向下
- 2 represents Lever handle down
- 3 代表挂锁锁定 (拉环向上)
- 3 represents Padlock locking (pull loop up)

- 10 代表钢镀锌
- 10 represents Steel galvanizing
- A1 代表 SUS304
- A1 represents SUS304
- 40 代表钢, 粉末涂层黑
- 40 represents Steel, powder coated black

- 5 代表短 (重载)
- 5 represents Short (heavy load)
- 6 代表中 (重载)
- 6 represents Medium (heavy load)
- 7 代表长 (重载)
- 7 represents Long (heavy load)

保持器 Holder	保持器零件号 Part number holder		尺寸 Size (L)		
	钢镀锌 Steel galvanizing	不锈钢 SUS304	短连接 Short connection L=29.4	中连接 Middle connection L=42.1	长连接 Long Connection L=54.8
隐藏式双孔 Hidden double hole	1641-103-10	1641-103-A1	15.9	28.6	41.3
单孔挂钩式 Single hole hook type	1641-105-10	1641-105-A1	29.4	42.1	54.8
外露式单孔 Exposed single hole	1641-104-10	1641-104-A1	47.6	60.3	73.0
外露式单孔单突缘 Exposed type single hole single protruding edge	1641-102-10	1641-102-A1	38.1	50.8	63.5
只限门锁 door lock only			31.8	44.5	57.1



配件：  
弹簧加载辅助锁扣可抵御剧烈震动和防止意外开启。

零件不锈钢 原色: 1641-201-A1  
零件不锈钢 黑色: 1641-201-40

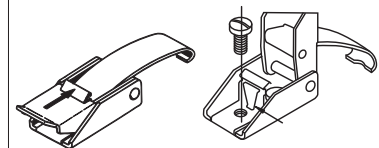
Accessories:  
Spring loaded secondary catch provides resistance against severe vibration and accidental opening.

Part number steel primary colours:

1641-201-A1

Part number steel black colours: 1

641-201-40



1. Material and surface treatment:  
Main body: SUS304 or Steel galvanizing or Steel, powder coated black

1. 材质及表面处理:  
主体: SUS304 或 钢镀锌 或 钢, 粉末涂层黑

如需获得产品 3D 模型图, 请联系 WWW.FORND.COM