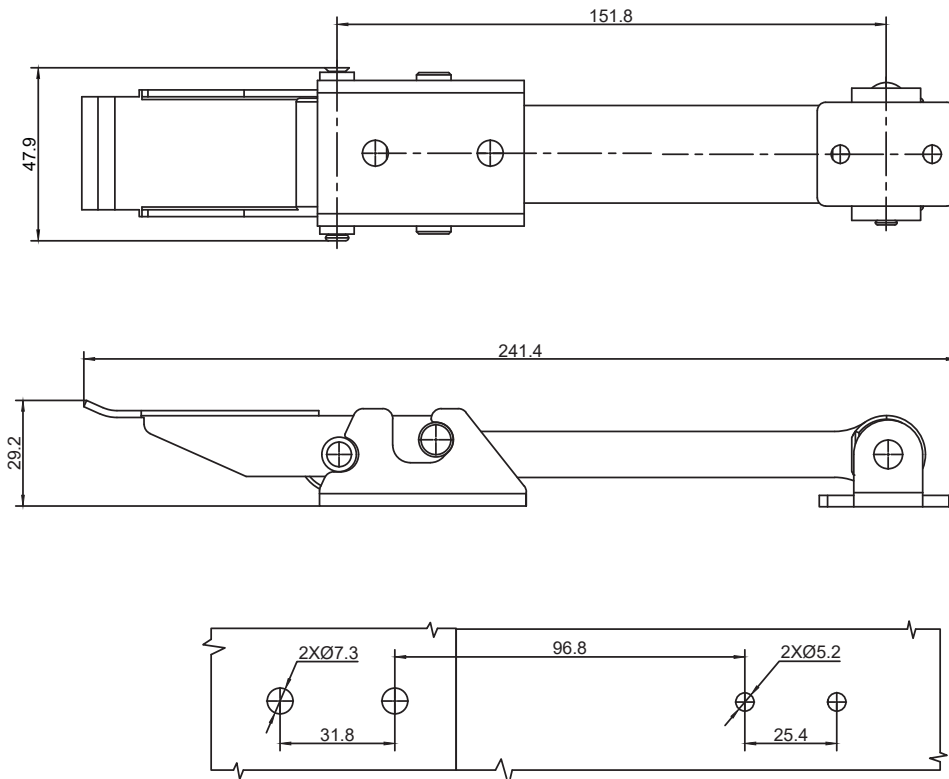


F-1720

Draw Latch



1. Material and surface treatment:
Main body: Ethylene and propylene rubber and black nylon with fiberglass, with stainless steel pins

1. 材质及表面处理:
主体: 乙烯和丙烯橡胶和黑色尼龙加玻纤, 带不锈钢销钉

如需获得产品 3D 模型图, 请联系 WWW.FORND.COM