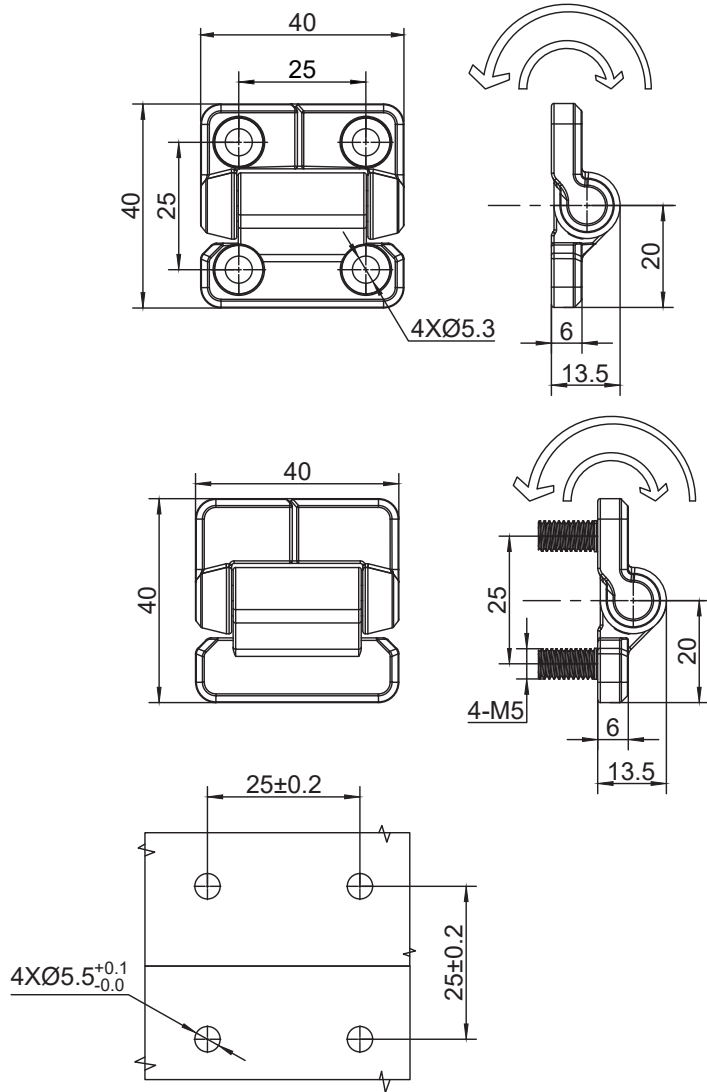


# 螺钉固定扭矩铰链 Screw-on Torque Hinge



**H1-2423**

Screw-on Torque Hinge



对称扭矩 N.m Symmetric N.m		
麻面黑 Black Textured Powder Coated	亮铬 Bright Chrome	对称扭矩 Symmetrical Torque
H1-2423-09-42	H1-2423-09-30	0.9
H1-2423-14-42	H1-2423-14-30	1.4
H1-2423-18-42	H1-2423-18-30	1.8
H1-2423-23-42	H1-2423-23-30	2.3
H1-2423-34-42	H1-2423-34-30	3.4

不对称扭矩 N.m Asymmetric N.m			
麻面黑 Black Textured Powder Coated	亮铬 Bright Chrome	向前扭矩 N.m Forward Torque N.m	反向扭矩 N.m Reverse Torque N.m
H1-2423-40-2314F-42	H1-2423-40-2314F-30	2.3	1.4
H1-2423-40-3420F-42	H1-2423-40-3420F-30	3.4	2.0
H1-2423-40-4527R-42	H1-2423-40-4527R-30	4.5	2.7
H1-2423-40-1423R-42	H1-2423-40-1423R-30	1.4	2.3
H1-2423-40-2034R-42	H1-2423-40-2034R-30	2.0	3.4

1. Material and surface treatment:  
Main body : Zamak DIN-EN 1774-ZnAl4Cu1

1. 材质及表面处理:  
主体: 5#锌合金

如需获得产品 3D 模型图，请联系 WWW.FORND.COM