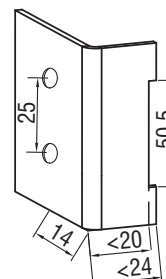
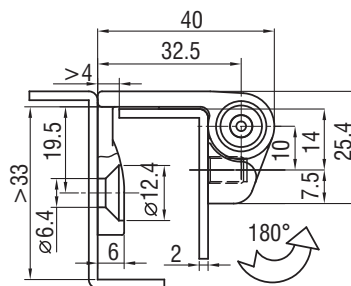
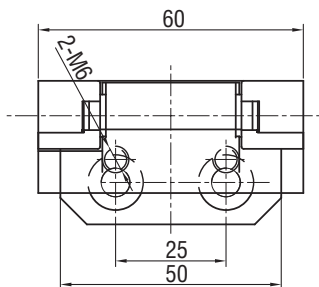


External Hinge

H2-2311



开孔尺寸
Panel cutout

1. Material and surface treatment:
Main body : Zamak DIN-EN 1774-ZnAl4Cu1

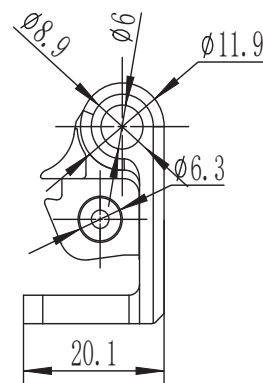
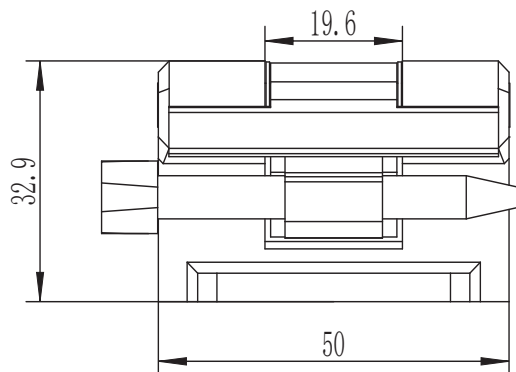
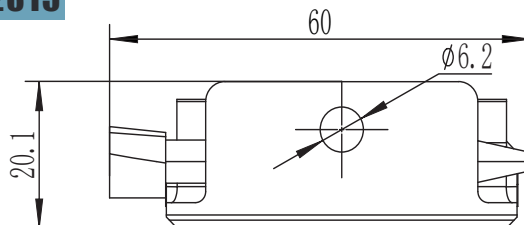
1. 材质及表面处理:
主体: 5#锌合金

麻面黑 Black Textured Powder Coated

H2-2311-42

External Hinge

H2-2315



1. Material and surface treatment:
Main body : Zamak DIN-EN 1774-ZnAl4Cu1

1. 材质及表面处理:
主体: 5#锌合金

麻面黑 Black Textured Powder Coated

H2-2315-42

如需获得产品3D模型图，请联系 WWW.FORND.COM